

## GHT-G70 Door Stopper

### Features

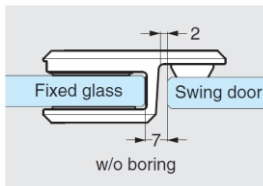
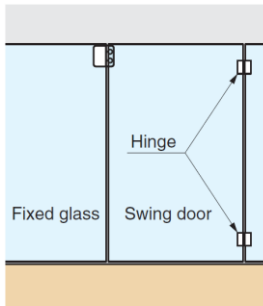
- For single swing door application
- No need to bore on glass, can be installed directly to the fixed glass panel with PVC pad
- Ideal for shower booth

### Notes

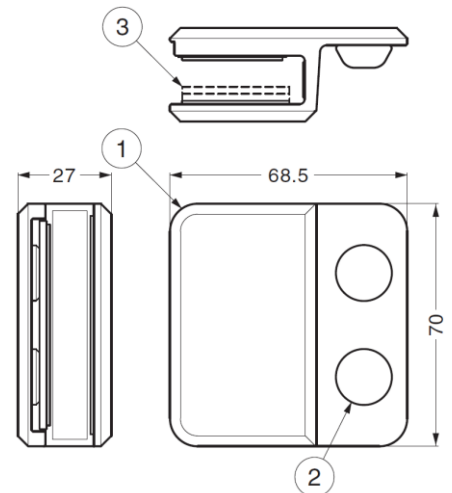
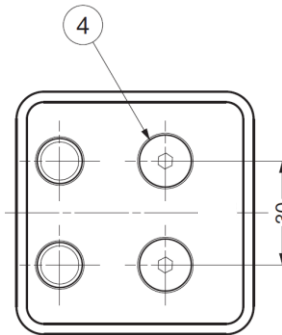
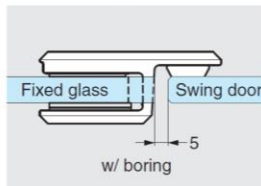
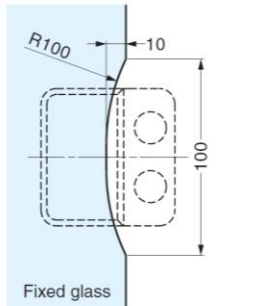
- Do not use in upper glass transom
- Recommended to be used with soft-closing hinges / self-closing (function within final 25 degrees) to prevent excessive impact



### Installation



### Cut Out Dimensions



No.	Part Name	Material	Finish/Colour
①	Body	Stainless Steel (SCS13)	Mirror
②	Pad	Silicone (Si)	Natural
③	Gasket	Vinyl Chloride Resin (PVC)	Clear
④	Screw	Stainless Steel (SUS303)	Plain

Part No.	Glass Thickness
GHT-G70	8, 10, 12